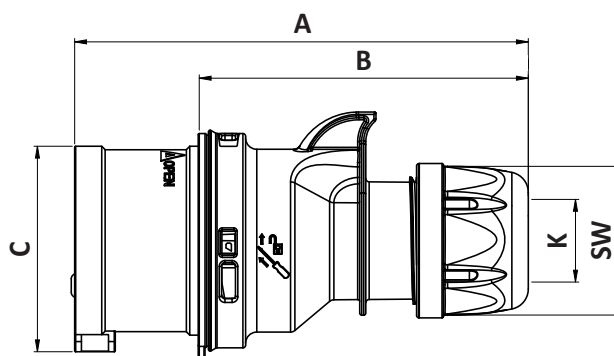


POWtec CEE Plugs, Black IP44



- Splash-proof, IP44
- Screw terminals
- Quick release locking system
- Brass contacts

Maximum Conductor Cross-section		
Current Rating	Flexible	Solid
16A	4mm ²	6mm ²
32A	6mm ²	10mm ²



Dimensions (mm)						
Poles	3	4	5	3	4	5
Current	16A			32A		
A	122	128	134	150	150	155
B	86	92	98	104	104	109
C	47	53	61	63	63	70
K	6-15	6-15	8-16	11.5-20	11.5-20	11.5-22
SW	42	42	42	50	50	50
Weight (g)	109	128	151	181	201	232

Voltage		230 V~	400 V~
Frequency		50/60 Hz	50/60 Hz
Designation		3p = 6h 4p/5p = 9h	3p = 9h 4p/5p = 6h
Current	Poles	Part No.	Part No.
16A	3	POWtecP-316B-T044-B	-
16A	4	-	POWtecP-416R-T044-B
16A	5	-	POWtecP-516R-T044-B
32A	3	POWtecP-332B-T044-B	-
32A	4	-	POWtecP-432R-T044-B
32A	5	-	POWtecP-532R-T044-B